

TAURUS

ROD END MAINTENANCE FREE

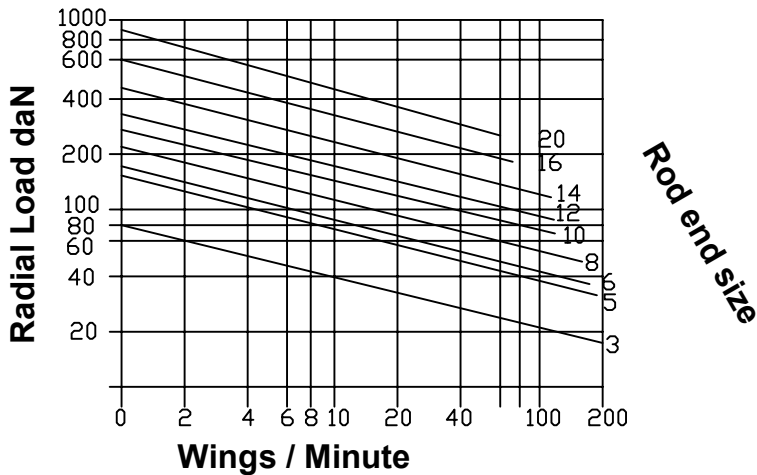
MADE IN ITALY



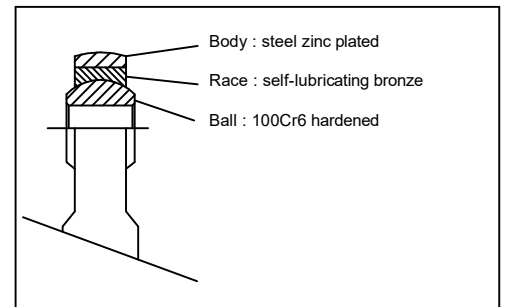
STANDARD VERSION

TAURUS is a "maintenance free" rod end with coupling steel on self-lubricating bronze. The product is made in according to the DIN ISO 12240-4 serie K rules for mechanical sector application and in conformity with UNI ISO 8139 for pneumatic cylinders applications.

Admissible stresses graph



Product description



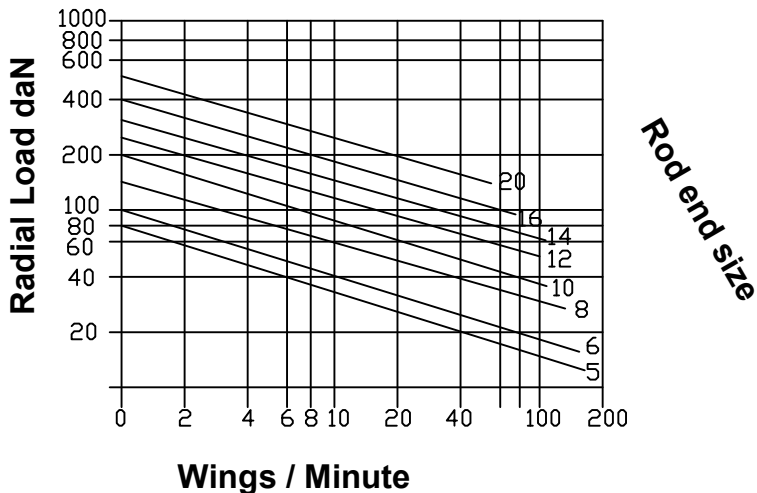
The graph can be used for a quick choice of the rod ends.

Validity field:
Applied loads: steady, throbbing, alternating.
Sphere swing angle: $\hat{\alpha} < 48^\circ$
(total swing angle)
Ambient temperature: -20 +40
Lacks of: dusts, shock, vibration etc.
It's allowed working with continuous rotating motion of the ball.

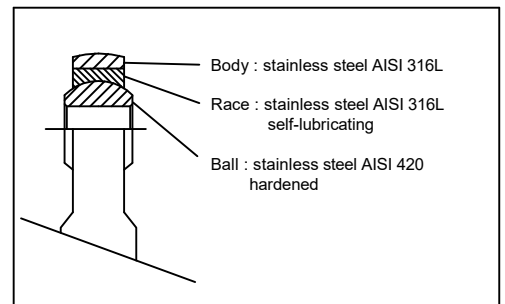
STAINLESS STEEL VERSION

TAURUS INOX rod end is completely made of stainless steel. It's "maintenance free", it's suitable for applications on hospital, pharmaceutical, alimentary, naval machines, let alone aggressive ambients.

Admissible stresses graph



Product description



The graph can be used for a quick choice of the rod ends.

Validity field:
Applied loads: steady, throbbing, alternating.
Sphere swing angle: $\hat{\alpha} < 48^\circ$
(total swing angle)
Ambient temperature: -20 +40
Lacks of: dusts, shock, vibration etc.
It's allowed working with continuous rotating motion of the ball.